

MODULAR WOOD SHED

(Courtesy of The Makah Nation, WA)

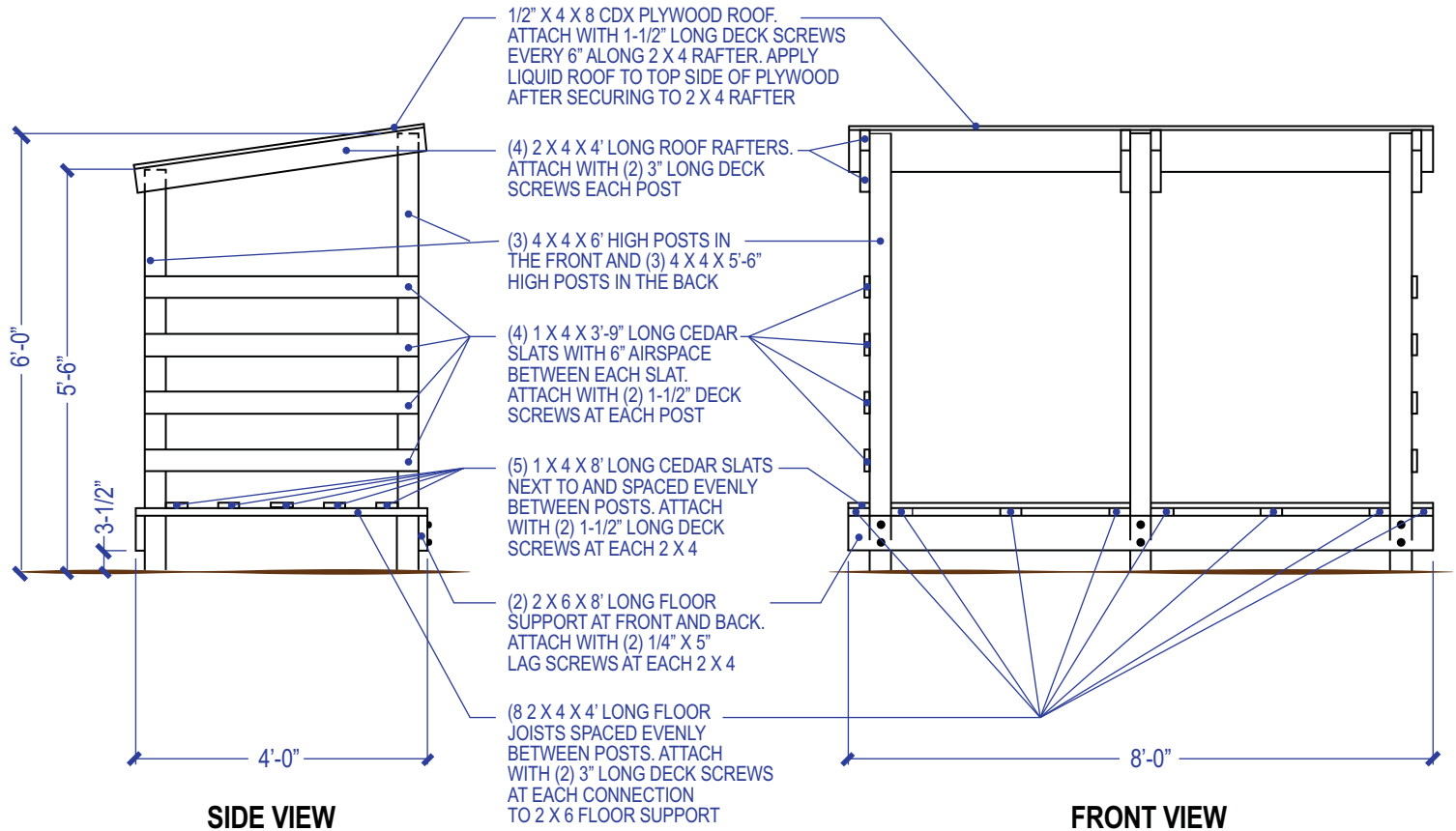
\$215

Wood Shed
(price dependant on locality)

- Holds about one cord of wood
- Light enough to move by hand
- Easy to fabricate with mostly straight cuts and no mitered corners or joints
- Uses outdoor treated wood for the structure and liquid roofing primer for the roof
- Connectors and fasteners are galvanized
- Roof and sides are finished to owner specifications (e.g. composition, metal, wood shakes, etc.)
- Footings provided by owner (concrete post bases or pavers)



Modular Wood Shed Construction Diagram



Woodshed Materials List

Item	Quantity	Unit	Description	Unit Cost	Subtotal
Outdoor Treated Lumber					
2" x 6" x 8' long	2	ea	"post and beam" frame (already to length)	\$6.50	\$13.00
4" x 4" x 12' long	3	ea	"post and beam" posts (cut to 6' & 5-1/2' lengths)	\$17.25	\$51.75
2" x 4" x 8' long	5	ea	floor joists (cut to 4' long)	\$4.25	\$21.25
2" x 4" x 8' long	3	ea	roof joists (cut to 4' long)	\$4.25	\$12.75
1" x 4" x 12' long	4	ea	flooring slats (cut to 4' length)	\$4.00	\$16.00
1/2" x 4" x 8' sheets	1	ea	CDX (use full sheet)	\$14.00	\$14.00
Hardware					
1/4" x 6" galv. lag bolts	12	ea	"post and beam" assemble	\$0.80	\$9.60
3" long deck screws	1	box	green coated deck screws (square head)	\$7.00	\$7.00
1 1/2" long deck screws	1	box	green coated deck screws (square head)	\$7.00	\$7.00
Other Materials					
Liquid Roofing	1	5 gal.	black	\$45.00	\$45.00
Miscellaneous					\$25.00
Grand Total*					\$215.35

* Prices are approximate and do not include tax. Total cost of materials will vary by location.